

Nooyi[®] 诺易

Provide Power Solutions



IP 工频逆变电源

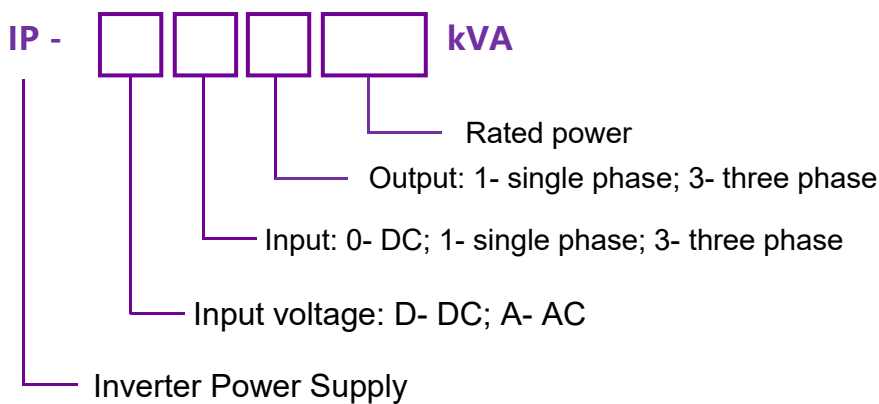
Inverter Power Supply

Introduction

IP inverter power supply adopt the new generation 32 ARM bit-processor, IGBT as the executive element, the isolated transformer or voltage conversion.

IP inverter power supply uses DC-AC to convert the input power to any power supply in the world through SPWM (Sine Wave Pulse Width Modulation) conversion to meet the needs of different voltages and different frequencies.

Type designation



Features

- Adopt ARM-32 bit microprocessor, reliable, stable and high intelligent.
- Fast dynamic response and stability.
- Three phase vector control, three phase voltage automatic balance.
- High voltage stability accuracy.
- High frequency stability.
- 7-inch touch display screen, beautiful interface, multiple parameter display.
- Power frequency transformer isolation, pure sine wave output.
- RS485 communication interface, standard MODBUS-RTU protocol, can be converted to CAN, TCP/IP interface, remote monitor through mobile phone APP.

Application

- Intelligent Microgrid
- Energy Storage Inverter
- Photovoltaic, Wind Power Generation
- Energy Recovery
- Communication, Power Inverter Power Supply.....

Input Parameter

Parameter	Index	Note
Rated Voltage	DC36V-72V/DC90V-180V/ DC190V-380V/DC380V-690V/ DC690V-1150V Single phase AC100V/110V/127V/220V Three phase AC200V/220V/380V/400V	Optional voltage, non-standard customization is acceptable
Busbar	Multi-circuit optional	customizable
Input switch	DC MCB switch/AC MCB switch	

Output Parameter

Parameter	Index	Note
Modulation mode	IGBT/SPWM	
Output voltage	Three phase 380V/400V/, single phase 220V/230V	Customizable voltage output
Output Voltage Stability	±1% (can customize higher precision)	
Reaction time	2mS(For input voltage)	
Stable time	<20MS recovery to within 5%	
Voltage waveform distortion THD	<3% (Linear Load) <5% (non-Linear Load)	
Output frequency	50HZ/60HZ	
Frequency stability	< 0.1%	
Phase offset	Load three-phase balance or no-load $\leq \pm 1^\circ$; 100% three phase unbalance: $\leq \pm 4^\circ$	
Three-phase unbalance	Three-phase voltage automatic balance	
Isolated transformer	Δ/Y or Y/Y	
Bypass function	IPA11/IPA31/IPA33series optional automatic bypass function, inverter to bypass switching time<4MS	

Control Parameter

Parameter	Index	Note
Main Control Component	The main measurement and control chip adopts ARM 32-bit processor, and the inverters adopt IGBT	
Carrier frequency	4K;8K;12K;16Koptional	
Control Voltage and Current Acquisition	RMS	
Control mode	Voltage closed-loop control or current closed-loop control or VF curve control	
Communication interface	RS485, MODBUS-RTU protocol	Optional RS232, CAN, TCP/IP, GPRS

Display Parameter

Display	Index	Note
Display media	7 Inch Touch Screen or 192*64 (LCD)	
Displays Rated Parameters	Input voltage, input current; Output three phase voltage, frequency; Average value of output line voltage; Output power factor; Output three phase current; Output active power, apparent power	
Display alert content	Fuse breaking, IGBT high temperature, transformer high temperature, IGBT fault, overload, input undervoltage, etc.	
Display accuracy of rated parameters	1.0 grade	
Resolution voltage parameter	0.1V	Can customize higher resolution
Current parameter resolution	0.1A	Can customize higher resolution

Protection Parameter

Parameter	Index	Note
Protection type	Input fuse-free switch, output fuse-free switch, electronic circuit fast detection of overcurrent, overvoltage, overload, over-high temperature, short circuit and automatic jump protection and alarm	
Protection mode	Cut off output	

Physical Parameter

Parameter	Index	Note
Heat dissipation mode	Natural cooling or forced fan cooling	
Degree of protection	Indoor IP20; outdoor IP23 or higher	

Three phase specification

Model	Capacity (kVA)	Output current (A)	Size W×D×H (mm)
IPD03-003/IPA13-003/IPA33-003	3	4.6	350×650×670 (with wheel)
IPD03-006/IPA13-006/IPA33-006	6	9.1	
IPD03-010/IPA13-010/IPA33-010	10	15.2	
IPD03-015/IPA13-015/IPA33-015	15	22.8	460×700×1170 (with wheel)
IPD03-020/IPA13-020/IPA33-020	20	30.4	
IPD03-030/IPA13-030/IPA33-030	30	45.6	
IPD03-045/IPA33-045	45	68.4	780×650×1450
IPD03-060/IPA33-060	60	91.2	
IPD03-075/IPA33-075	75	114.0	950×700×1600
IPD03-090/IPA33-090	90	136.7	
IPD03-120/IPA33-120	120	182.3	
IPD03-150/IPA33-150	150	227.9	1200×750×1800
IPD03-200/IPA33-200	200	303.9	
IPD03-250/IPA33-250	250	379.8	1400×800×2000
IPD03-300/IPA33-300	300	455.8	
IPD03-350/IPA33-350	350	531.8	
IPD03-400/IPA33-400	400	607.8	1500×1050×2200
IPD03-500/IPA33-500	500	759.7	
IPD03-600/IPA33-600	600	911.6	2400×1200×2200
IPD03-800/IPA33-800	800	1215.5	
IPD03-1000/IPA33-1000	1000	1519.4	1500×1050×2200 Three cabinets
IPD03-1200/IPA33-1200	1200	1823.3	

Note: Dimensions and protection levels can be customized.

Single phase specification

Model	Capacity (kVA)	Output current (A)	Size W×D×H (mm)
IPD01--500W/IPA11-500W	0.5	2.3	425×436×173 (rack mount)
IPD01-001/IPA11-001	1	4.5	
IPD01-002/IPA11-002	2	9.1	350×650×670 (with wheel)
IPD01-003/IPA11-003	3	13.6	
IPD01-005/IPA11-005	5	22.7	
IPD01-010//IPA11-010	10	45.5	
IPD01-015/IPA31-015	15	68.2	460×700×1170 (with wheel)
IPD01-020/IPA31-020	20	90.9	
IPD01-030/IPA31-030	30	136.4	
IPD01-045/IPA31-045	45	204.5	780×650×1450
IPD01-060/IPA31-060	60	272.7	

Note: Dimensions and protection levels can be customized.

Note: The product is constantly being upgraded. This technical information is for reference only.

Products

- DC power supply 交流稳压电源
- DC voltage regulator 直流稳压电源
- UPS 不间断电源

- Grid connected inverter 并网逆变器
- Static var generator 无功补偿
- Dynamic voltage restorer 电源跌落补偿

上海诺易电器有限公司

SHANGHAI NUOYI ELECTRICITY CO.,LTD.

诺易电气股份有限公司

NUOYI ELECTRIC CO., LTD.

Headquater: Room 1705,buiding12, No.555, Chengyin Road,
Baoshan, Shanghai 200444

Factory: No.6 Jiangjiabang Road, Huangjing Town, Taicang,
Suzhou, Jiangsu 215428

Tel: +86 512 53811555 Fax: +86 512 53811860

E-mail: sales@yeseasy.net Web: www.yeseasy.net