

Nooyi[®] 诺易

Provide Power Solutions



DPH 高频隔离型直流电源

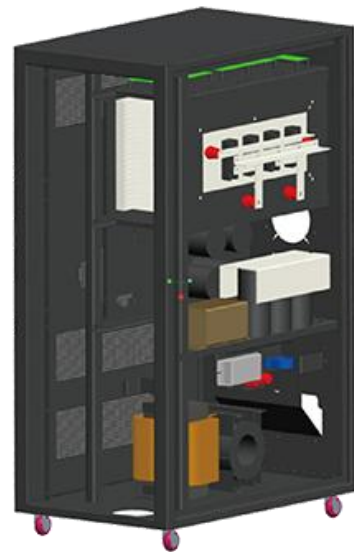
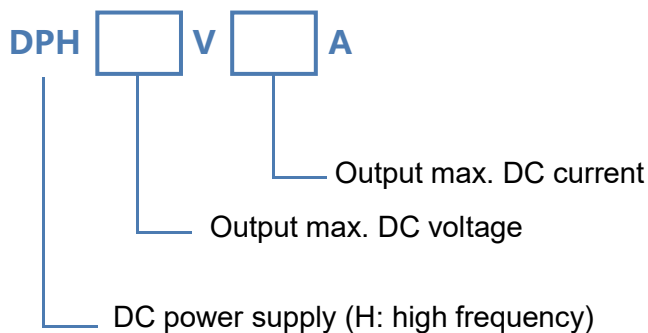
DP DC Power Supply

Introduction

DPH high frequency isolated DC power supply is a high-efficiency DC constant voltage, constant current and constant power power supply developed by Nuoyi. It uses ARM 32-bit processor as the monitoring chip, PWM pulse width modulation mode, IGBT as the main control element, medium and high frequency transformer isolation and fast recovery diode rectification.

The working mode of the power supply is the process from AC-DC-medium high frequency AC-DC. It has the advantages of small volume, energy saving and high efficiency. It is a new generation of high-frequency isolated DC power supply and an alternative product of SCR thyristor isolated DC power supply.

Type designation



Features

- The monitoring and measurement communication chip adopts arm32-bit processor, which can be applied to various intelligent control schemes.
- IGBT is used as the main control element and medium and high frequency transformer isolation is adopted.
- Automatic switching of constant voltage, constant current and constant power.
- Fast dynamic response and stability.
- High precision and small output ripple.
- It can be used as an external battery backup, with charge and discharge management function.
- The protection functions are complete, including overload, overvoltage, overcurrent, over temperature, undervoltage, short circuit, etc.
- LCD parameter display, set value and actual value are displayed at the same time.
- RS485 communication interface, standard MODBUS-RTU protocol, can be converted to any other protocol.

Application

- Communication room, power control
- Charging pile, battery charger
- Sewage disposal
- Electrolytic plating
- Induction heating
-

Input parameter

Name	Index	Remarks
Rated voltage	Three-phase 380V/400V (Any voltage can be customized) Single-phase 220V/230V (Any voltage can be customized)	L1/L2/L3+PE L/N+PE
Input range	±10% (Other ranges can be customized)	
Input frequency	40-70Hz	
12 pulse rectifier transformer	Phase shifting transformer	Option, non standard
Efficiency	>92%	Different load rates may vary
Power factor	>0.95	

Output parameter

Name	Index	Remarks
Output DC voltage	5-20000V	
Output DC current	5-50000A	
stabilized voltage precision	≤0.5%	
stabilized current precision	≤0.5%	
Ripple voltage	≤0.5% (Vrms)	

Control parameter

Name	Index	Remarks
Main control element	The main measurement and control chip adopts arm 32-bit processor	
Control frequency	10-100kHz	according to the power and heat dissipation
Control voltage and current acquisition mode	DC voltage and current isolation sensor acquisition	
Control mode	Voltage closed-loop control, current closed-loop mode, voltage and current double feedback closed-loop mode	
Interface	RS485, MODBUS-RTU protocol	RS232, TCP/IP, GPRS optional

Display parameter

Name	Index	Remarks
Display media	128*32 (LCD) or 7 Inch touch screen	
Display rated parameters	Percentage of output DC voltage, current, power and load rate; Set value voltage, current and power;	
Display alarm content	Voltage feedback fault, current feedback fault, IGBT alarm, inverter alarm, output overload, high temperature	
Display accuracy of rated parameters	1.0	
Voltage parameters resolution	0.1V or 0.01V	Customizable higher resolution
Current parameters resolution	0.1A or 0.01A	Customizable higher resolution

Protection parameter

Name	Index	Remarks
Protection type	Voltage feedback fault, current feedback fault, IGBT alarm, inverter alarm, output overload, high temperature, etc	
Protection mode	1. Cut off the output in case of fault; 2. Current and voltage limiting.	

Physical parameter

Name	Index	Remarks
Heat dissipation mode	Natural cooling or forced air cooling or water cooling	
IP Grade	Indoor IP20; outdoor IP33 or higher	

Product specification

DPH-10/200	DPH-10/300	DPH-10/400
DPH-10/600	DPH-10/800	DPH-10/1000
DPH-10/1200	DPH-10/1500	DPH-10/2000
DPH-10/3000	DPH-10/6000	DPH-10/10000
DPH-20/200	DPH-20/300	DPH-20/400
DPH-20/600	DPH-20/800	DPH-20/1000
DPH-20/1200	DPH-20/1500	DPH-20/2000
DPH-20/3000	DPH-20/6000	DPH-20/10000
DPH-30/200	DPH-30/300	DPH-30/400
DPH-30/600	DPH-30/800	DPH-30/1000
DPH-30/1200	DPH-30/1500	DPH-30/2000
DPH-30/3000	DPH-30/6000	DPH-30/10000
DPH-50/200	DPH-50/300	DPH-50/400
DPH-50/600	DPH-50/800	DPH-50/1000
DPH-50/1200	DPH-50/1500	DPH-50/2000
DPH-50/3000	DPH-50/6000	DPH-50/10000
DPH-80/50	DPH-80/100	DPH-80/150
DPH-80/200	DPH-80/300	DPH-80/400
DPH-80/600	DPH-80/800	DPH-80/1000
DPH-80/1200	DPH-80/1500	DPH-80/2000
DPH-120/10	DPH-120/20	DPH-120/30
DPH-120/50	DPH-120/100	DPH-120/150
DPH-120/200	DPH-120/300	DPH-120/400
DPH-120/600	DPH-120/800	DPH-120/1000

Product specification

DPH-180/10	DPH-180/20	DPH-180/30
DPH-180/50	DPH-180/100	DPH-180/150
DPH-180/200	DPH-180/300	DPH-180/400
DPH-180/600	DPH-180/800	DPH-180/1000
DPH-250/10	DPH-250/20	DPH-250/30
DPH-250/50	DPH-250/100	DPH-250/150
DPH-250/200	DPH-250/300	DPH-250/400
DPH-250/600	DPH-250/800	DPH-250/1000
DPH-300/10	DPH-300/20	DPH-300/30
DPH-300/50	DPH-300/100	DPH-300/150
DPH-300/200	DPH-300/300	DPH-300/400
DPH-300/600	DPH-300/800	DPH-300/1000
DPH-400/10	DPH-400/20	DPH-400/30
DPH-400/50	DPH-400/100	DPH-400/150
DPH-400/200	DPH-400/300	DPH-400/400
DPH-400/600	DPH-400/800	DPH-400/1000
DPH-600/10	DPH-600/20	DPH-600/30
DPH-600/50	DPH-600/100	DPH-600/150
DPH-600/200	DPH-600/300	DPH-600/400
DPH-600/600	DPH-600/800	DPH-600/1000
DPH-800/5	DPH-800/10	DPH-800/20
DPH-800/30	DPH-800/50	DPH-800/100
DPH-800/200	DPH-800/300	DPH-800/400
DPH-1000/5	DPH-1000/10	DPH-1000/20
DPH-1000/30	DPH-1000/50	DPH-1000/100
DPH-1000/200	DPH-1000/300	DPH-1000/400

Note: the product is constantly upgrading, and the update may delay. The technical data is for reference only.

Products

- DC power supply 交流稳压电源
- Grid connected inverter 并网逆变器
- DC voltage regulator 直流稳压电源
- Static var generator 无功补偿
- UPS 不间断电源
- Dynamic voltage restorer 电源跌落补偿

上海诺易电器有限公司

SHANGHAI NUOYI ELECTRICITY CO.,LTD.

诺易电气股份有限公司

NUOYI ELECTRIC CO., LTD.

Headquater: Room 1705,buiding12, No.555, Chengyin Road,
Baoshan, Shanghai 200444

Factory: No.6 Jiangjiabang Road, Huangjing Town, Taicang,
Suzhou, Jiangsu 215428

Tel: +86 512 53811555 Fax: +86 512 53811860

E-mail: sales@yeseasy.net Web: www.yeseasy.net

